

## SPLIT CORE CURRENT TRANSFORMERS SCC-2 & SCC-3

- Split Core, easy installation
- Primary input 100A~600A
- Secondary output 5A
- Safe operation
- Standard:  
IEC60044-1, EN60044-1, VDE0414-44-1,  
GB1208-2006

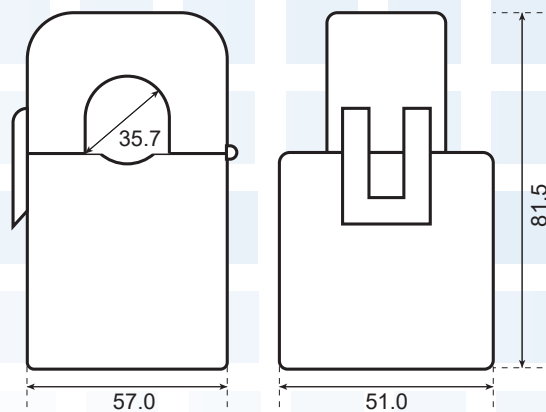
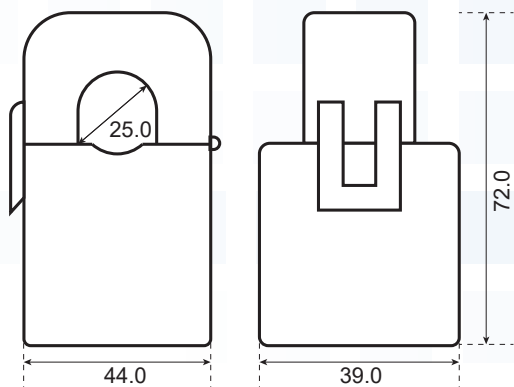


Reference	Primary Current	Accuracy Class	VA Burden	Aperture
SCC-2	100/5A	0.5 or 1	1.5	24mm
SCC-2	125/5A	0.5 or 1	1.5	24mm
SCC-2	150/5A	0.5 or 1	1.5	24mm
SCC-2	200/5A	0.5 or 1	1.5	24mm
SCC-2	250/5A	0.5 or 1	1.5	24mm

### Specifications

Frequency	50-60Hz
Rated current	100A to 600A loads
Rated output	5A (AC)
Accuracy	Class 0.5 or 1 from 20% to 120% of rated current
Phase angle	Less than 2 degrees at 50% of rated current
Insulation voltage	600V AC
Maximum primary voltage	5000V AC (Insulated Conductor)
Dielectric strength	2.5KV/1mA/1min
Operating temperature	-15°C to 60°C
Operating humidity	<85%
Case material	PC/UL94-V0
Bobbin	PBT
Core	Permalloy
Internal structure	Epoxy

Reference	Primary Current	Accuracy Class	VA Burden	Aperture
SCC-3	100/5A	0.5 or 1	1.5	36mm
SCC-3	125/5A	0.5 or 1	1.5	36mm
SCC-3	150/5A	0.5 or 1	1.5	36mm
SCC-3	200/5A	0.5 or 1	1.5	36mm
SCC-3	250/5A	0.5 or 1	1.5	36mm
SCC-3	300/5A	0.5 or 1	1.5	36mm
SCC-3	400/5A	0.5 or 1	1.5	36mm
SCC-3	600/5A	0.5 or 1	1.5	36mm



Product development is continuous and Autometers Systems Limited reserves the right to make alterations and manufacture without notice. Products as delivered may therefore differ from the descriptions and illustrations in this publication.