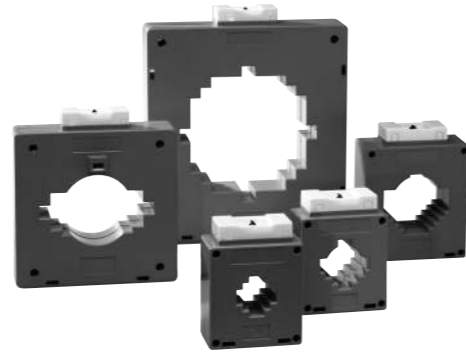


# Current Transformers

## Moulded Case AMS Series



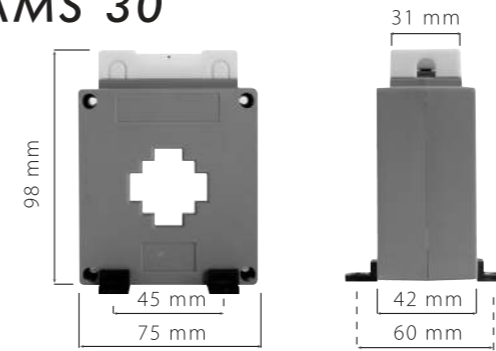
| Model   | Current Ratio | VA Burden | Class     | Price  |
|---------|---------------|-----------|-----------|--------|
| AMS 30  | 50/5 Amp      | 2.5       | Class 1.0 | £8.75  |
| AMS 30  | 100/5 Amp     | 2.5       | Class 1.0 | £8.75  |
| AMS 30  | 150/5 Amp     | 5.0       | Class 1.0 | £8.75  |
| AMS 30  | 200/5 Amp     | 5.0       | Class 1.0 | £8.75  |
| AMS 30  | 300/5 Amp     | 5.0       | Class 1.0 | £8.75  |
| AMS 30  | 400/5 Amp     | 5.0       | Class 1.0 | £8.75  |
| AMS 40  | 150/5 Amp     | 5.0       | Class 1.0 | £8.75  |
| AMS 40  | 200/5 Amp     | 5.0       | Class 1.0 | £8.75  |
| AMS 40  | 250/5 Amp     | 5.0       | Class 1.0 | £8.75  |
| AMS 40  | 300/5 Amp     | 5.0       | Class 1.0 | £8.75  |
| AMS 40  | 400/5 Amp     | 5.0       | Class 1.0 | £8.75  |
| AMS 40  | 500/5 Amp     | 5.0       | Class 1.0 | £8.75  |
| AMS 60  | 400/5 Amp     | 10.0      | Class 1.0 | £9.38  |
| AMS 60  | 500/5 Amp     | 10.0      | Class 1.0 | £10.00 |
| AMS 60  | 600/5 Amp     | 10.0      | Class 1.0 | £10.63 |
| AMS 60  | 800/5 Amp     | 10.0      | Class 1.0 | £10.63 |
| AMS 60  | 1000/5 Amp    | 10.0      | Class 1.0 | £10.63 |
| AMS 60  | 1200/5 Amp    | 10.0      | Class 1.0 | £10.63 |
| AMS 100 | 800/5 Amp     | 15.0      | Class 1.0 | £10.63 |
| AMS 100 | 1000/5 Amp    | 15.0      | Class 1.0 | £10.63 |
| AMS 100 | 1200/5 Amp    | 15.0      | Class 1.0 | £11.25 |
| AMS 100 | 1500/5 Amp    | 15.0      | Class 1.0 | £11.25 |
| AMS 100 | 1600/5 Amp    | 15.0      | Class 1.0 | £11.25 |
| AMS 100 | 2000/5 Amp    | 15.0      | Class 1.0 | £11.25 |
| AMS 100 | 2500/5 Amp    | 15.0      | Class 1.0 | £12.50 |
| AMS 100 | 3000/5 Amp    | 15.0      | Class 1.0 | £12.50 |
| AMS 130 | 2000-4000 Amp | 15.0      | Class 1.0 | £18.75 |

# AMS Range of Current Transformers

NB Illustrations are not to scale.

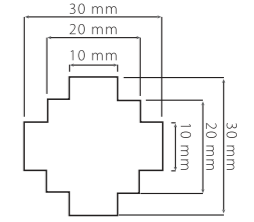
Technical Data **Class 1.0 600 Volt 50 - 60 Hz**

## AMS 30

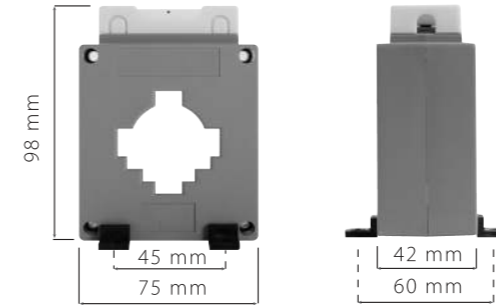


|       |     |        |
|-------|-----|--------|
| 50/5  | Amp | 2.5 VA |
| 100/5 | Amp | 2.5 VA |
| 150/5 | Amp | 5.0 VA |
| 200/5 | Amp | 5.0 VA |
| 250/5 | Amp | 5.0 VA |
| 300/5 | Amp | 5.0 VA |

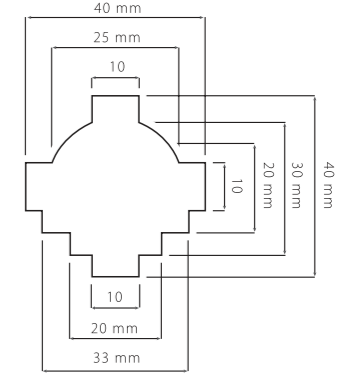
### Inside Dimensions



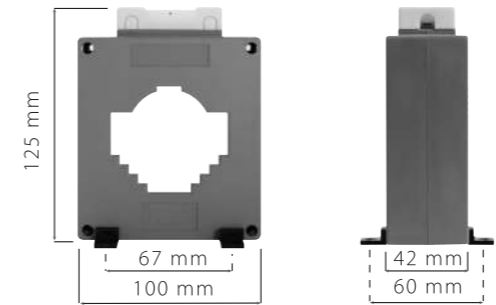
## AMS 40



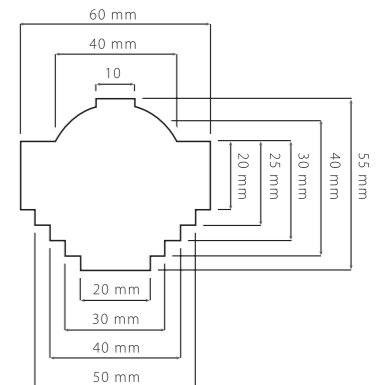
|       |     |        |
|-------|-----|--------|
| 150/5 | Amp | 5.0 VA |
| 200/5 | Amp | 5.0 VA |
| 250/5 | Amp | 5.0 VA |
| 300/5 | Amp | 5.0 VA |
| 400/5 | Amp | 5.0 VA |
| 500/5 | Amp | 5.0 VA |



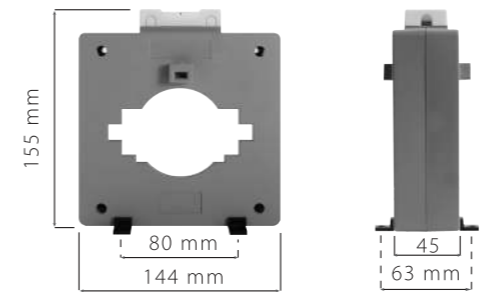
## AMS 60



|        |     |         |
|--------|-----|---------|
| 400/5  | Amp | 10.0 VA |
| 500/5  | Amp | 10.0 VA |
| 600/5  | Amp | 10.0 VA |
| 800/5  | Amp | 10.0 VA |
| 1000/5 | Amp | 10.0 VA |
| 1200/5 | Amp | 10.0 VA |

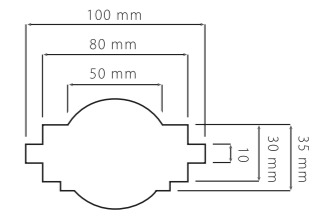


## AMS 100

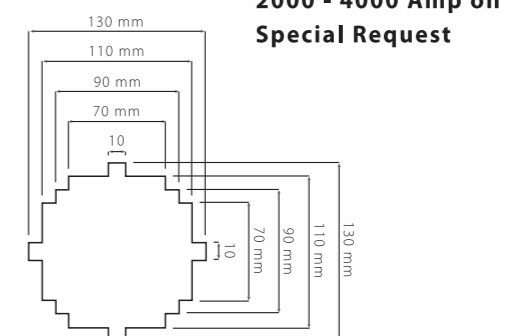
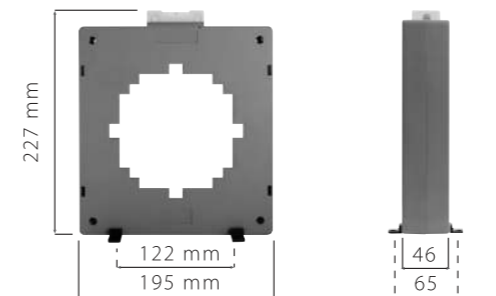


|        |     |         |
|--------|-----|---------|
| 800/5  | Amp | 15.0 VA |
| 1000/5 | Amp | 15.0 VA |
| 1200/5 | Amp | 15.0 VA |
| 1500/5 | Amp | 15.0 VA |
| 1600/5 | Amp | 15.0 VA |
| 2000/5 | Amp | 15.0 VA |

### Inside Dimensions



## AMS 130



2000 - 4000 Amp on Special Request

### Standard Plastic Foot For Each Transformer

