



DIN RAIL SMART METER FOR SINGLE AND THREE PHASE ELECTRICAL SYSTEMS

1.Introduction

This document provides operating, maintenance and installation instructions. This unit measures and displays the characteristics of single phase two wires(1p2w), three phase three wires(3p3w) and three phase four wires(3p4w) networks. The measuring parameters include voltage(V), frequency(Hz), current(A), power(kW/kVar/kVAr), Imported, exported and total Energy(kWh/kVArh). The unit can also measure Maximum demand current and power, this is measured over preset periods of up to 60 minutes.

This unit is a 1A or 5A current transformer operated and can be configured to work with a wide range of CTs. Built-in pulse and RS485 Modbus RTU outputs. Configuration is password protected.

This unit can be powered from a separate auxiliary (AC or DC) supply. Alternatively it can be powered from the monitored supply by linking the voltage reference and neutral reference to terminals 5 + 6 (Please refer to wiring diagram).

1.1 Unit Characteristics

The Unit can measure and display:

- Voltage and THD% (total harmonic distortion) of all phases
- Line frequency
- Currents, current demand and current THD% of all phases
- Power, maximum power demand and power factor
- Active energy imported and exported
- Reactive energy imported and exported

The unit has password protected set-up screens for:

- Changing password
- Supply system selection 1p2w, 3p3w, 3p4w
- Demand interval time
- Reset for demand measurements
- Pulse output duration

Two pulse output indicate real-time energy measurement. An RS485 output allows remote monitoring from another display or a computer.

1.2 Current Transformer Primary Current

A-35M has a pre configured CT Ratio of 100 or 200A depending on part code. The unit is a current transformer supplied device, and you will need to set the correct ratio. As an example: If using 100/5A CT, you will need to insure CT2 (Secondary) is set to 5 and CT rate is 0020. You divide the primary by the secondary to get the CT rate to be entered (100/5=20).

1.3 RS485 Serial – Modbus RTU

RS485 serial port with Modbus RTU protocol to provide a means of remotely monitoring and controlling the Unit. Set-up screens are provided for setting up the RS485 port. Refers to section 4.8.

1.4 Pulse output

Two pulse outputs that pulse measured active and reactive energy. The Pulse 2 constant for active energy is 3200imp/kWh. (Terminals 11 & 12) The pulse width for Pulse 1 can be set from the set-up menu (Terminals 9 & 10).

2.Start Up Screens

	The first screen lights up all display segments and can be used as a display check.
	The second screen indicates the firmware installed in the unit and its build number. * The actual version maybe different.
	The interface performs a self-test and indicates the result if the test passes.

*After a short delay, the screen will display phase to neutral voltages.

3.Measurements

The buttons operate as follows:

	Selects the Voltage and Current display screens. In Set-up Mode, this is the "Left" or "Back" button.
	Select the Frequency and Power factor display screens. In Set-up Mode, this is the "Up" button.

	Select the Power display screens. In Set-up Mode, this is the "Down" button.
	Select the Energy display screens. In Set-up mode, this is the "Enter" or "Right" button.

3.1 Voltage and Current

Each successive press of the button selects a new parameter:

	Phase to neutral voltages.
	Current on each phase.
	Phase to neutral voltage THD%.
	Current THD% for each phase.

3.2 Frequency and Power Factor and Demand

Each successive press of the button selects a new range:

	Frequency and Power Factor (total).
	Power Factor of each phase.
	Maximum Current Demand.
	Maximum Power Demand.

3.3 Power

Each successive press of the button select a new range:

	Instantaneous Active Power in kW.
	Instantaneous Reactive Power in kVAr.
	Instantaneous Volt-Amps in KVA.
	Total kW, kVArh, KVA.

3.4 Energy Measurements

Each successive press of the button selects a new range:

	Imported active energy in kWh.
	Exported active energy in kWh.
	Imported reactive energy in kVArh.
	Exported reactive energy in kVArh.
	Software SN.

4.Set Up

To enter set-up mode, press the button for 3 seconds, until the password screen appears.

	Setting up is password-protected so you must enter the correct password (default '1000') before processing.
	If an incorrect password is entered, the display will show: PASS Err

To exit setting-up mode, press repeatedly until the measurement screen is restored.

4.1 Set-up Entry Methods

Some menu items, such as password and CT, require a four-digit number entry while others, such as supply system, require selection from a number of menu options.

4.1.1 Menu Option Selection

1. Use the and buttons to scroll through the different options of the set up menu.
2. Press to confirm your selection
3. If an item flashes, then it can be adjusted by the and buttons.
4. Having selected an option from the current layer, press to confirm your selection. The SET indicator will appear.
5. Having completed a parameter setting, press to return to a higher menu level. The SET indicator will be removed and you will be able to use the and buttons for further menu selection.
6. On completion of all setting-up, press repeatedly until the measurement screen is restored.

4.1.2 Number Entry Procedure

When Setting up the unit, some screens require the entering of a number. In particular, on entry to the setting up section, a password must be entered. Digits are set individually, from left to right. The procedure is as follows:

1. The current digit to be set flashes and is set using the and buttons
2. Press to confirm each digit setting. The SET indicator appears after the last digit has been set.
3. After setting the last digit, press to exit the number setting routine. The SET indicator will be removed.

4.2 Change Password

	Use the and buttons to choose the change password option.
	Press the to enter the change password routine. The new password screen will appear with the first digit flashing.
	Use and to set the first digit and press to confirm your selection. The next digit will flash.
	Repeat the procedure for the remaining three digits.
	After setting the last digit, SET will show.

Press to exit the number setting routine and return to the Set-up menu. SET will be removed

4.3 DIT Demand Integration Time

This sets the period in minutes over which the current and power readings are integrated for maximum demand measurement. The options are: 0, 5, 10,15 30,60 minutes.

	From the set-up menu, use and buttons to select the DIT option. The screen will show the currently selected integration time.
	Press to enter the selection routine. The current time interval will flash.
	Use and buttons to select the time required.
	Press to confirm the selection. SET indicator will appear.

Press to exit the DIT selection routine and return to the menu.

Warnings

Important Safety Information is contained in the Maintenance section. Familiarize yourself with this information before attempting installation or other procedures. Symbols used in this document:

- Risk of Danger: These instructions contain important safety information. Read them before starting installation or servicing of the equipment.
- Caution: Risk of Electric Shock

4.4 Supply System

The unit has a default setting of 3Phase 4wire (3P4). Use this section to set the type of electrical system.

	From the set-up menu, use and buttons to select the system option. The screen will show the currently selected power supply.
	Press to enter the selection routine. The current selection will flash.
	Use and buttons to select the required system option: 1P2(W), 3P3(W), 3P4(W).
	Press to confirm the selection. SET indicator will appear.

Press to exit the system selection routine and return to the menu. SET will disappear and you will be returned to the main set-up Menu.

4.5 CT

The CT option sets the secondary current (CT2 1A or 5A) of the current transformer (CT) that wires to the meter.

	From the set-up menu, use and buttons to select the CT option.
	Secondary CT setting Press to enter the CT secondary current selection routine.:5A/1A
	Set CT Ratio value Press to enter the CT Ratio setting screen. The range is from 0001 to 2000.

For example, if using a 100/5A current transformer you will enter 0020, as you need to divide the primary by the secondary to get the ratio (CT rate).

* Please note for the MID approved version device, you will only have one opportunity to set the ratio.

4.6 PT

The PT option sets the secondary voltage (PT2 100 to 500V) of the voltage transformer (PT) that may be connected to the meter.

	Use and buttons to select the PT option. The screen will show the voltage PT secondary voltage value. The default value is 400V.
	Secondary PT setting Press to enter the PT secondary voltage selection routine. The range is from 100 to 500V.
	Set PT ratios value Press to enter the PT ratio screen. The range is from 0001 to 2000.

For example, if set the ratio to be 100, it means the primary voltage equals secondary voltage x100.

4.7 Pulse Output

This option allows you to configure the pulse output. The output can be set to provide a pulse for a defined amount of energy active or reactive. Use this section to set up the pulse output—Units: kWh, kVArh

	From the set-up menu, use and buttons to select the Pulse output option.
	Press to enter the selection routine. The unit symbol will flash.
	Use and buttons to choose kWh or kVArh.

On completion of the entry procedure, press to confirm the setting and press to return to the main set up menu.

4.7.1 Pulse rate

Use this to set the energy represented by each pulse. Rate can be set to 1 pulse per 0.01kWh/0.1kWh/1kWh/10kWh/100kWh.



(It shows 1 impulse = 10kWh/kVArh)



From the set-up menu, use **MOD/PPHIZ** and **P** buttons to select the Pulse Rate option.



Press **ESC** to enter the selection routine. The current setting will flash. 0.01/0.1/1/10/100/1000kWh/kVArh per pulse.

Use **MOD/PPHIZ** and **P** buttons to choose pulse rate.

On completion of the entry procedure, press **ESC** to confirm the setting and press **W/A ESC** to return to the main set up menu.

4.7.2 Pulse Duration

The energy monitored can be active or reactive and the pulse width can be selected as 200, 100 or 60ms.



(It shows pulse width of 200ms)



From the set-up menu, use **MOD/PPHIZ** and **P** buttons to select the Pulse width option.



Press **ESC** to enter the selection routine. The current setting will flash.

Use **MOD/PPHIZ** and **P** buttons to choose pulse width.

On completion of the entry procedure press **ESC** to confirm the setting and press **W/A ESC** to return to the main set up menu.

4.8 Communication

There is a RS485 port can be used for communication using Modbus RTU protocol. For Modbus RTU, parameters are selected from Front panel.

4.8.1 RS485 Address



(The range is from 001 to 254)



From the set-up menu, use **MOD/PPHIZ** and **P** buttons to select the address ID.



Press **ESC** button to enter the selection routine. The current setting will be flashing.



Use **MOD/PPHIZ** and **P** buttons to choose Modbus address (001 to 254).

On completion of the entry procedure, press **ESC** button to confirm the setting and press **W/A ESC** button to return the main set-up menu.

4.8.2 Baud Rate



From the set-up menu, use **MOD/PPHIZ** and **P** buttons to select the Baud Rate option.



Press **ESC** to enter the selection routine. The current setting will flash.



Use **MOD/PPHIZ** and **P** buttons to choose Baud rate 1.2k 2.4k 4.8k 9.6k, 19.2k, 38.4k

On completion of the entry procedure, press **ESC** to confirm the setting and press **W/A ESC** to return to the main set up menu.

4.8.3 Parity



From the set-up menu, use **MOD/PPHIZ** and **P** buttons to select the parity option.



Press **ESC** to enter the selection routine. The current setting will flash.



Use **MOD/PPHIZ** and **P** buttons to choose parity (EVEN / ODD / NONE (default)).

On completion of the entry procedure, press **ESC** to confirm the setting and press **W/A ESC** to return to the main set up menu.

4.9 Backlit set-up

The meter provides a function to set the blue backlit lasting time(0/5/10/30/60/120 minutes).

Option 0 means the backlit always on here.



Default:60 If it's set as 5,the backlit will be off in 5minutes.

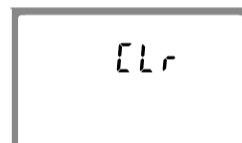


Use **MOD/PPHIZ** and **P** buttons to choose the time

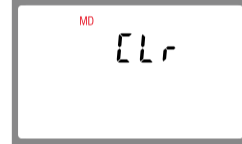
Press **ESC** to confirm the setting and press **W/A ESC** to return to the main set up menu.

4.10 CLR

The meter provides a function to reset the maximum demand value of current and power.



From the set-up menu, use **MOD/PPHIZ** and **P** buttons to select the reset option.



Press **ESC** to enter the selection routine. The dlt will flash.

Press **ESC** to confirm the setting and press **W/A ESC** to return to the main set up menu.

5.3 Accuracy

- Voltage: 0-5% of range maximum
- Current: 0-5% of nominal
- Frequency: 0-2% of mid-frequency
- Power factor: 1% of unity (0.01)
- Active power (W): ±1% of range maximum
- Reactive power (VAR): ±1% of range maximum
- Apparent power (VA): ±1% of range maximum
- Active energy (Wh): Class 1 IEC 62053-21
- Reactive energy (VARh): ±1% of range maximum
- Total harmonic distortion: 1% up to 31st harmonic
- Response time to step input: 1s, typical, to >99% of final reading, at 50 Hz.

5.4 Auxiliary Supply

Two-way fixed connector with 2-5mm² stranded wire capacity. 85 to 275V a.c. 50/60Hz ±10% or 120V to 380V d.c. ±20%. Consumption < 10W.

5.5 Interfaces for External Monitoring

Three interfaces are provided:

- RS485 communication channel that can be programmed for Modbus RTU protocol
- Relay output indicating real-time measured energy. (configurable)
- Pulse output 3200imp/kWh (not configurable)

The Modbus configuration (baud rate etc.) and the pulse relay output assignments (kWh/kVArh, import/export etc.) are configured through the set-up screens.

5.5.1 Pulse Output

The pulse output can be set to generate pulses to represent kWh or kVArh.

Rate can be set to generate 1 pulse per:

0.01 = 10 Wh/VArh
0.1 = 100 Wh/VArh
1 = 1 kWh/kVArh
10 = 10 kWh/kVArh
100 = 100 kWh/kVArh
1000 = 1000 kWh/kVArh

Pulse width 200/100/60 ms.
Relay Rating 240V ac 50mA

5.5.2 RS485 Output for Modbus RTU

For Modbus RTU, the following RS485 communication parameters can be configured from the set-up menu:

Baud rate 1200, 2400, 4800, 9600, 19200, 38400
Parity none / odd / even (default)
Stop bits 1 or 2
Rs485 network address nnn - 3-digit number, 1 to 254

Modbus™ Word order Hi/Lo byte order is set automatically to normal or reverse. It cannot be configured from the set-up menu.

5.6 Reference Conditions of Influence Quantities

Influence Quantities are variables that affect measurement errors to a minor degree. Accuracy is verified under nominal value (within the specified tolerance) of these conditions.

- Ambient temperature: 23°C ±1°C
- Input waveform: 50 or 60Hz ±2%
- Input waveform: Sinusoidal (distortion factor < 0.005)
- Auxiliary supply voltage: Nominal ±1%
- Auxiliary supply frequency: Nominal ±1%
- Auxiliary supply waveform (if AC): Sinusoidal (distortion factor < 0.05)
- Magnetic field of external origin: Terrestrial flux

5.7 Environment

- Operating temperature: -25°C to +55°C*
- Storage temperature: -40°C to +70°C*
- Relative humidity: 0 to 95%, non-condensing
- Altitude: Up to 3000m
- Warm up time: 1 minute
- Vibration: 10Hz to 50Hz, IEC 60068-2-6, 2g
- Shock: 30g in 3 planes

* Maximum operating and storage temperatures are in the context of typical daily and seasonal variation.

5.8 Mechanics

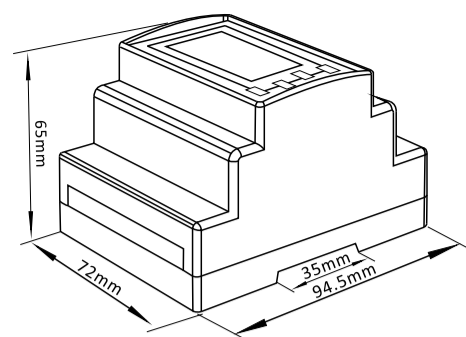
- DIN rail dimensions: 72 x 94.5 mm (WxH) per DIN 43880
- Mounting: DIN rail (DIN 43880)
- Sealing: Ip51 (indoor)
- Material: Self-extinguishing UI94 V-0

5.9 Declaration of Conformity(for the MID approved version meter only)

We Autometers Systems Ltd Declare under our sole responsibility as the manufacturer that the poly phase multifunction electrical energy meter "A-35 Series" correspond to the production model described in the EC-type examination certificate and to the requirements of the Directive 2004/22/EC EC type examination certificate number 0120/SGS0196. Identification number of the NB0120

Product development is continuous and Autometers systems Ltd reserves the right to make alterations and manufacture without notice. Products as delivered may therefore differ from the descriptions and illustrations in this publication.

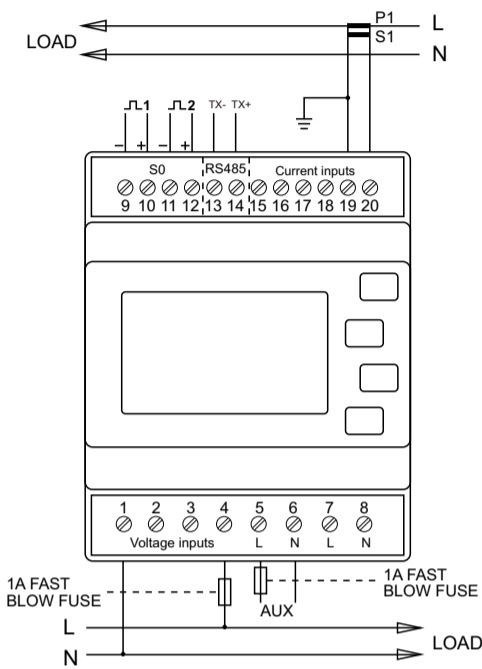
6.Dimensions



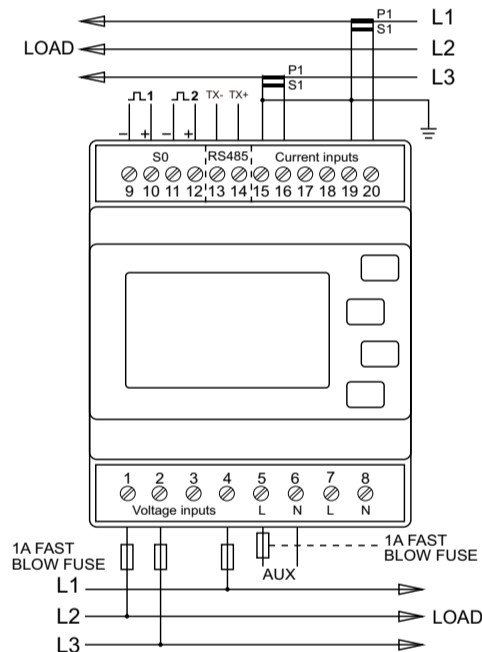
7.Installation

* Terminals 7&8 are power output that can be the auxiliary power for the next A-35M meter.

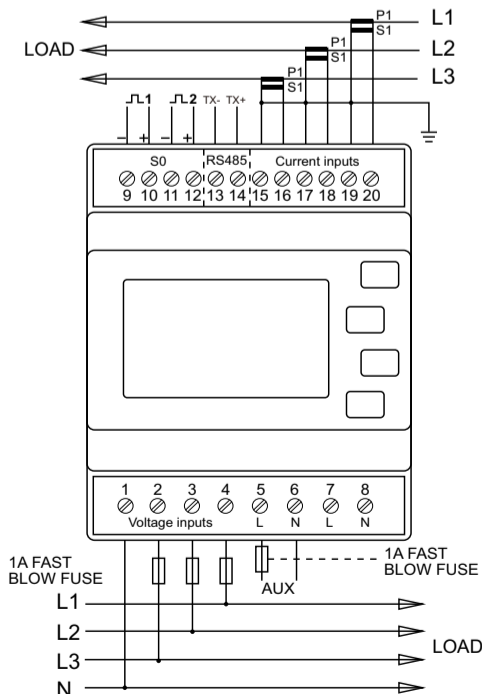
7.1 Single phase two wires



7.2 Three phase three wires



7.3 Three phase four wires



Autometers Systems Ltd
4B Albany Road, Manchester ,M21 0AW
Tel:00 (44) 0161 861 9056
Fax:00 (44) 0161 881 3745
Web:autometers.co.uk

Document Number : 082015. A-35

