

HXE34 MID Approved (Appendix "B" and "D")

Three phase Four wire kWh meter

230/400 Volt, 50 Hz, 10-100 Amp.

Overview

Active Energy-meter for three phase four wire alternating current with a 7 digit counters (No decimals. The meter comes standard with a short terminal cover. It can be supplied with

a extended cover on request.

- Load bar indication
- External magnetic influence (Arrow points to number (1) on display)
- Green back light display for ease of reading.
- Pulse output. (SO 100 imp/kWh)
- Supplied by Autometers Systems Ltd a quality assured company (IS 9001)
- Solar PV generation meter



Extended terminal cover fitted

Display

	Unit	ID
Active Energy	kWh	Energy Import
Bar Indication		Indicating Load
L1, L2, L3		Indicating voltage lines

HXE34 Features

L1, L2, L3 illuminating indicating voltage lines present

MID Certification Number

Chart Indicating Load (Bar Indication)

Green back light LCD Display

Bar Indication

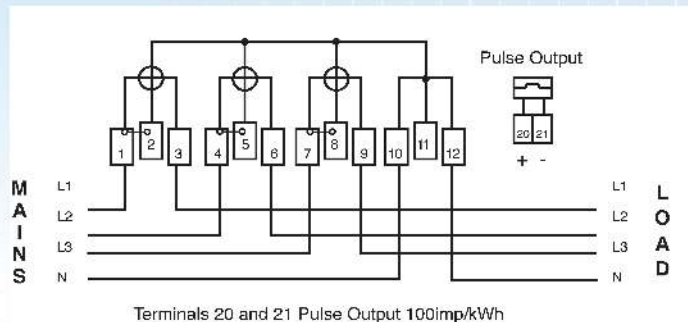
LED Energy Indicator

Connection Diagram

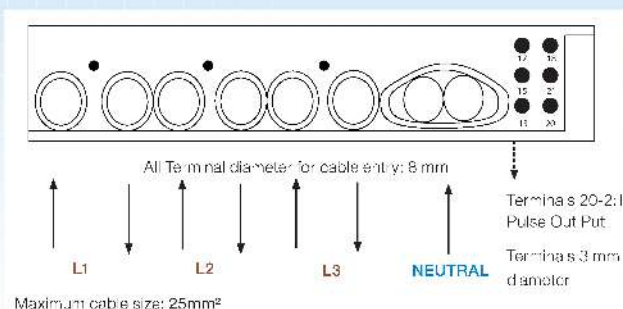
Short Terminal Cover (extended on Large Cover available)

Connection Diagram

240/400v 50Hz 10-100amp



Bottom of meter

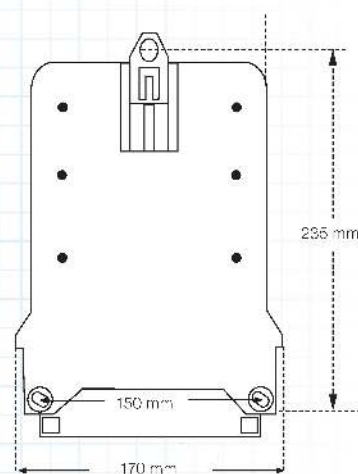


Technical Data

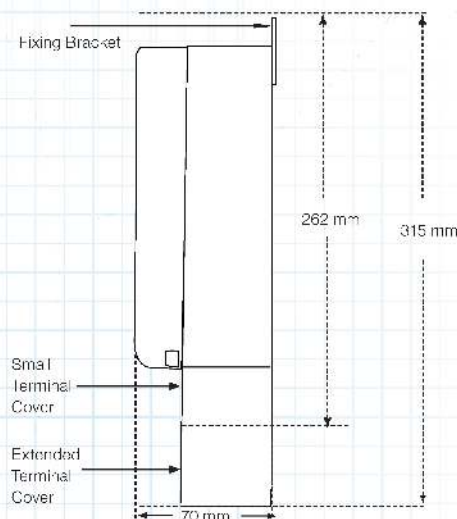
Data in compliance with EN 62053-21, EN62053-3*, EN62056-21, DIN 43857-3

Measuring scope	Active energy, MD
Rated voltage	3x 230 v (230/400v)
Voltage range	0.8UN~1.2UN
Rated Frequency	50 Hz
Rate Indicator LED	1000 imp/kWh
Communication	Optical port, RS485 with EN 62056-21
Communication	SO Pulse Output 100imp/kWh
Accuracy class	C1.B
Basic current	10 A
Maximum current	100A
Minimum current	150 mA
Starting current	15 mA
Power consumption	Voltage circuit $\leq 0.56w$ Apparent Power at UN $\leq 2.361VA$ Current circuit $\leq 0.025VA$
Tamper detection	External magnetic detection
Display	7 digits LCD, 7 integers
Operating temperature range	-40° + 70°C
Humidity operating range	95%
Degree of protection	IP54
Meter life	No less than 15 years
Weight	Approximate 1.485KG
Dimensions (L x W x H)	262 mm x 170 mm x 70 mm (Short terminal cover)
Meter cover	Transparent PC
Meter base	Glass fibered PC
Terminal Box cover	Glass fibered PC

Back of meter



Side of meter



Autometers Systems Limited

4B Albany Road, Chorlton-cum-Hardy, Manchester, M21 0AW

Tel: +44 (0) 161 861 9056 Fax: +44 (0) 161 881 3745

www.autometers.co.uk Email: sales@autometers.co.uk

Product development is continuous and Autometers Systems Ltd reserves the right to make alterations and manufacture without notice. Products as delivered may therefore differ from the descriptions and illustrations in this publication.

Supplied by Autometers Systems Ltd, a quality assured company (IS 9001)



Publication No: HXE0512