

CT105 Series 3 Phase Moulded Case Current Transformers

Description

Miniature three phase current transformers suitable for primary ranges from 100A-250A with 5A secondary. Supplied with terminal cover and choice of fixings.

Application

For installation onto cables or 21mm (maximum) busbars. The products have an overall width of 105mm allowing installation directly on top of moulded case circuit breakers.

Technical Specification

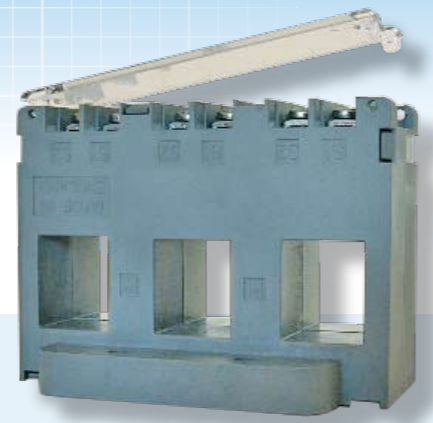
- Conforms to IEC185, BS 7626, BSEN 60044-1 and IEC 60044-1.
- Rated system voltage 0.72/3kV.
- Ambient temperature range -30°C to 80°C.
- Frequency range 50-60Hz.
- Insulation level 3kV for 1 minute.
- Continuous current 1.2 x rated current.

Range

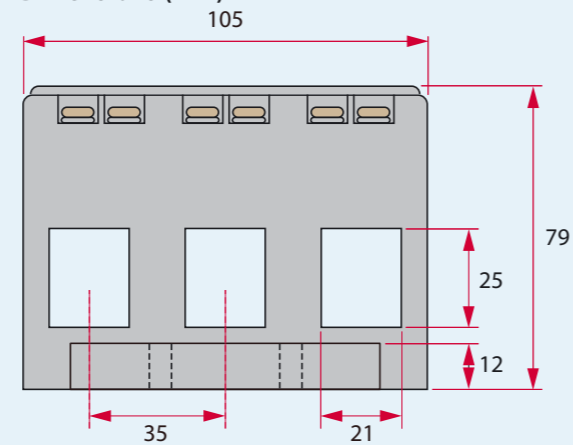
Primary Current	Foot mounted Part No.	DIN Rail Mounted Part No.
100A	CT105F-100/5-2.5/1	CT105D-100/5-2.5/1
125A	CT105F-125/5-2.5/1	CT105D-125/5-2.5/1
150A	CT105F-150/5-2.5/1	CT105D-150/5-2.5/1
160A	CT105F-160/5-2.5/1	CT105D-160/5-2
200A	CT105F-200/5-2.5/1	CT105D-200/5-2.5/1
250A	CT105F-250/5-2.5/1	CT105D-250/5-2.5/1

Note: Foot mounted versions are supplied as standard unless specified on orders.

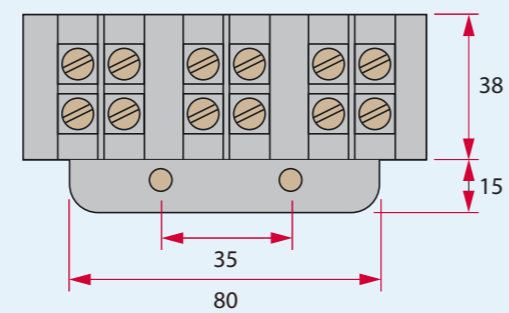
All models are 2.5V A class 1.



Dimensions (mm)



Foot Mounted



DIN Rail Mounted (2 x clips supplied)

