

The **new** QX Range

Introduction

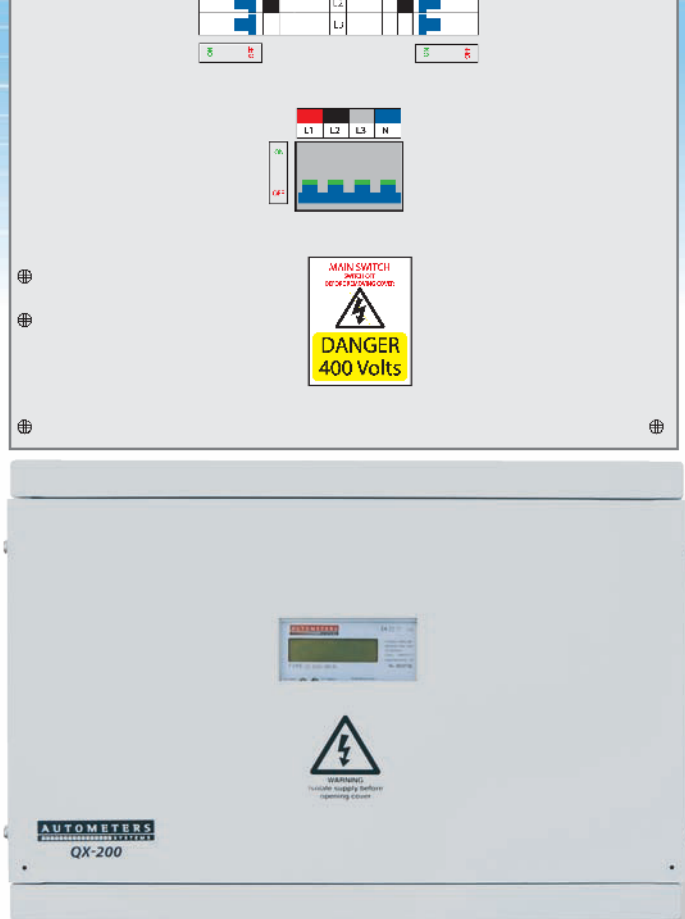
Meter enclosures specially designed to be installed below the existing three phase distribution board.

The New QX range of meter enclosures, manufactured by Autometers, offers the ideal way of installing an electricity meter ensuring that the meter is protected and enabling a very simple installation.

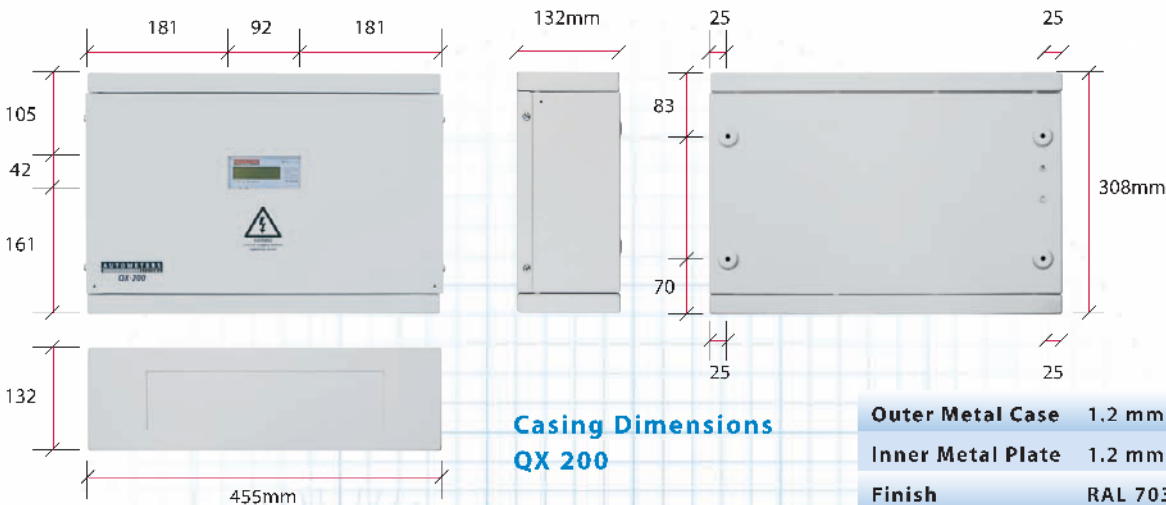
The QX-200 is a meter pack with all the parts supplied to enable a quick and simple installation. The pack consists of the IC-200 meter, the metal enclosure with removable top and bottom lid with extra removable top inner plate, and a Hex Screwdriver (allen key) for tightening the screws on the meter terminals.

Specification

- The IC- 200 meter, Ofgem Approved
- 3 phase 4 wire kWh meter
- 200 amp 230/400volt 50Hz
- Standard with pulse output
- Optional extra with RS 485 Modbus
- Earth terminal inside with two spare terminals
- Enclosure made from 1.2mm steel powder coated
- Front cover with plastic window to protect and view meter register



QX 200 showing IC 200 IM R meter



Outer Metal Case	1.2 mm Steel
Inner Metal Plate	1.2 mm Steel
Finish	RAL 7035 (Light Grey) Powder Coat Texture Finish